

User's Manual

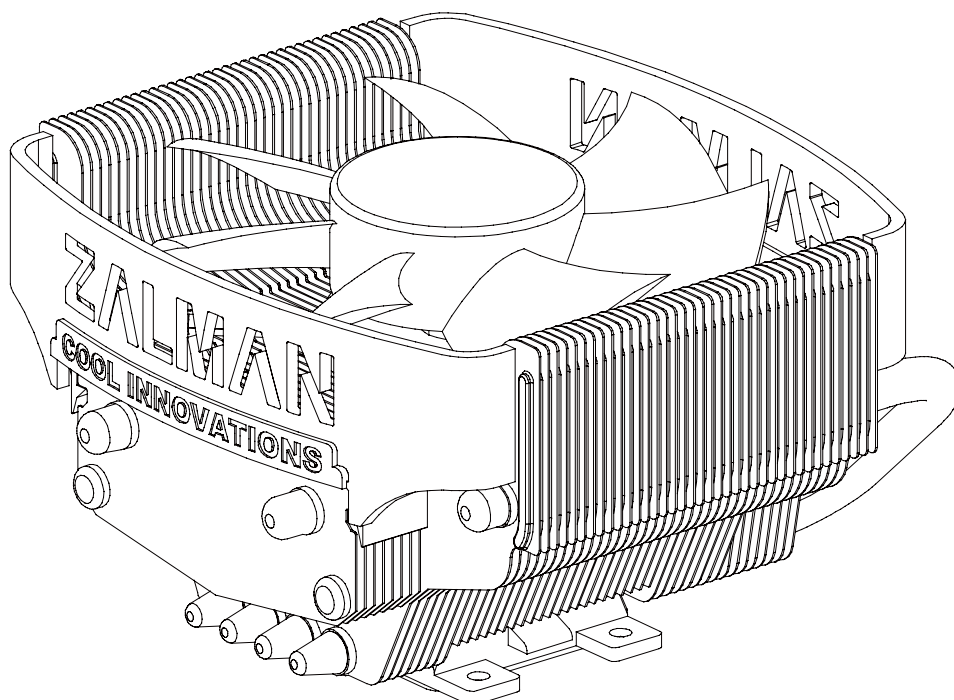
CNPS8000B

Intel Socket 1155 / 1156 / 1366 / 775 CPU

- Core i7 Extreme
- Core i7
- Core i5
- Core i3
- Core 2 Quad
- Core 2 Duo
- Core 2 Extreme
- Dual Core Pentium
- Pentium D
- Pentium 4
- Celeron

AMD Socket FM1 / AM3 / AM2+ / AM2 CPU

- Llano
- Phenom II
- Phenom
- Athlon II
- Athlon X2
- Athlon FX
- Athlon
- Sempron



To ensure safe and easy installation,
please read the following precautions.

www.ZALMAN.com

Ver. 1.2

1. Precautions

- 1) Do not ingest the Thermal Grease, and avoid its contact with skin and eyes. If contact is made with skin, wash off with water. If ingested or irritation persists, seek medical attention.
- 2) To prevent possible injuries, gloves must be worn while handling this product.
- 3) Excessive force exerted on the fan may cause damage to the fan and/or system.
- 4) Use and keep product away from reach of children and pets.
- 5) Check the components list and condition of the product before installation. If any problem is found, contact the retailer to obtain a replacement.
- 6) Zalman Tech Co., Ltd. is not responsible for any damages due to overclocking.
- 7) During transportation of the system, the cooler must be removed. Zalman is not responsible for any damages that occur during the transport of a system.
- 8) Product design and specifications may be revised to improve quality and performance.

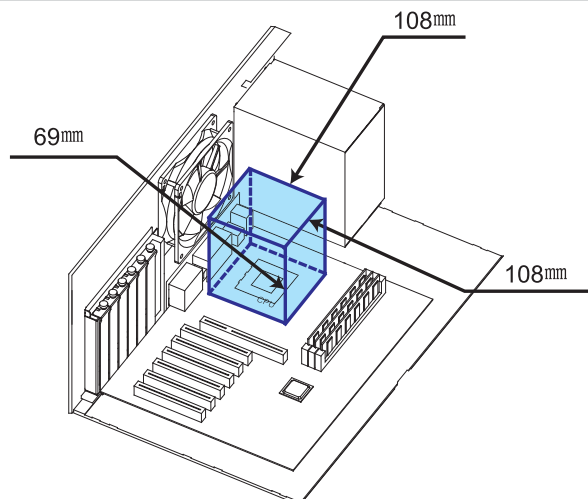
Disclaimer) Zalman Tech Co., Ltd. is not responsible for any damages due to external causes, including but not limited to, improper use, problems with electrical power, accident, neglect, alteration, repair, improper installation, or improper testing.

2. Specifications

Spec.	Model	CNPS8000B
Materials		Pure Copper, Aluminum
Weight		330g
Dimensions		108(L) × 108(W) × 66(H)mm
Fan	Bearing	FSB(Fluid Shield Bearing)
	RPM	1,400 ~ 2,800rpm ±10%
	Noise Level	20 ~ 32dBA ±15%
	Input Voltage	12V
	Main Functions	PWM Control, Auto Restart

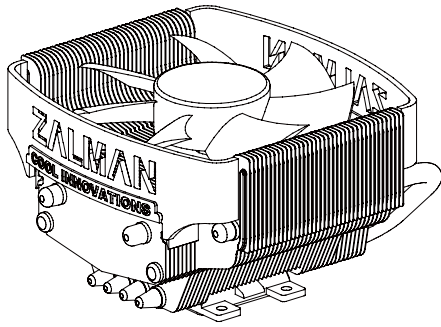
3. Installation Requirements

The cooler's installation requires an unobstructed space of 108mm (width), 108mm(height), and 69mm (depth), with the CPU as a central reference point. Please check if components such as ODDs and PSU interfere with the required space.

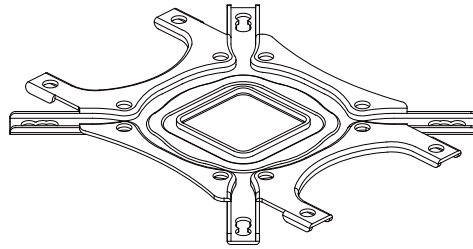


4. Components

1) Common Components



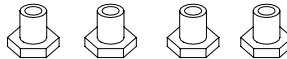
Cooler



Backplate



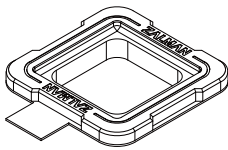
Side Caps



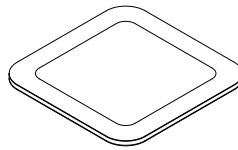
Nuts



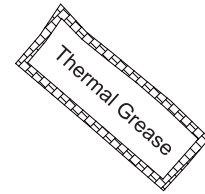
User's Manual



Loading Block



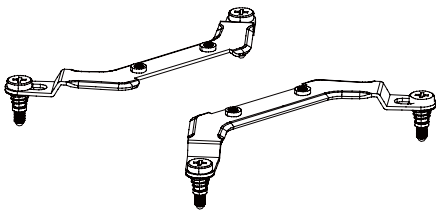
Double-sided Tape



Thermal Grease

2) Intel Components

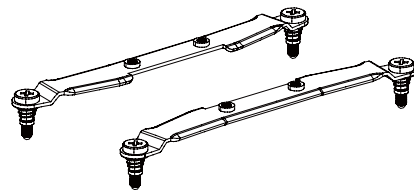
Socket 1155 / 1156 / 1366 / 775



Intel Clip

3) AMD Components

Socket FM1 / AM3 / AM2+ / AM2

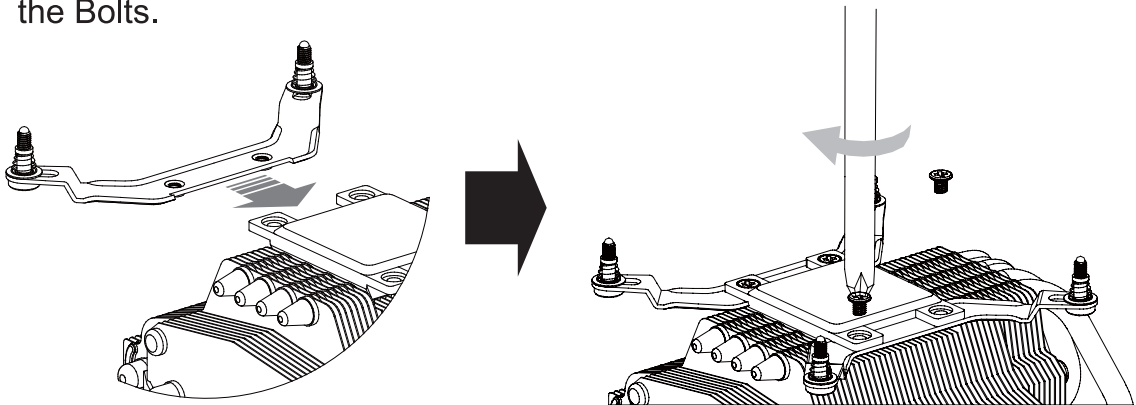


AMD Clip

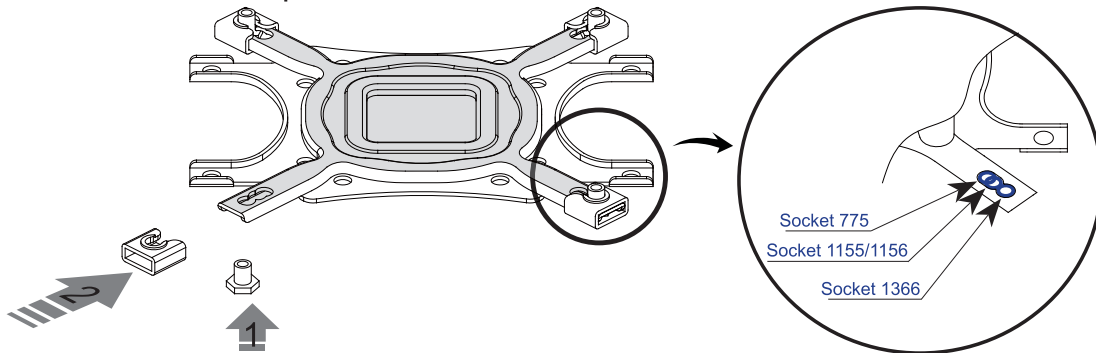
5. Installation

1) Intel Socket 1155 / 1156 / 1366 / 775 Installation

- ① Insert the Intel Clip between the Cover and the Base, and then fasten the Bolts.

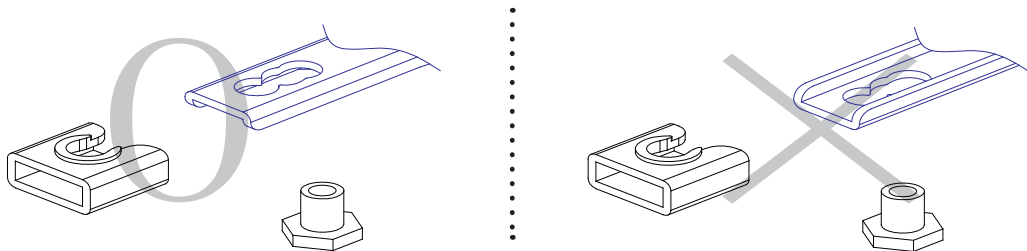


- ② Install Bolts to the Backplate according to the Socket Type and secure with Side Caps.



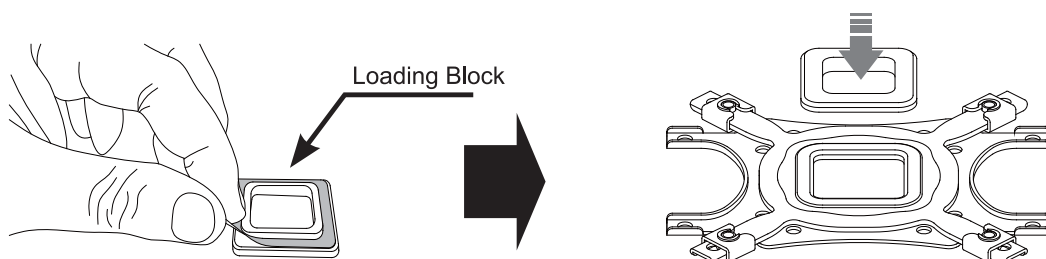
⚠ Caution

Take note of the orientation of the Nuts and the Side Caps.

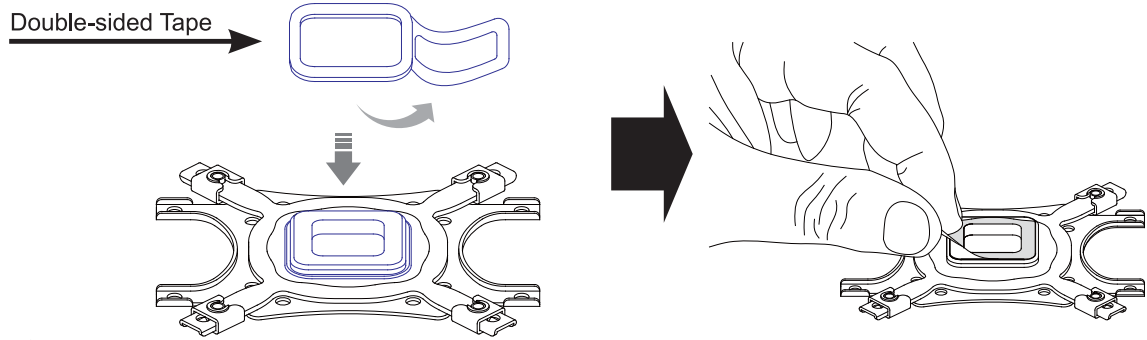


③ - a) Socket 775 Installation

Remove the Sticker Cover from the Lower Tier of the Loading Block and attach to the Backplate.

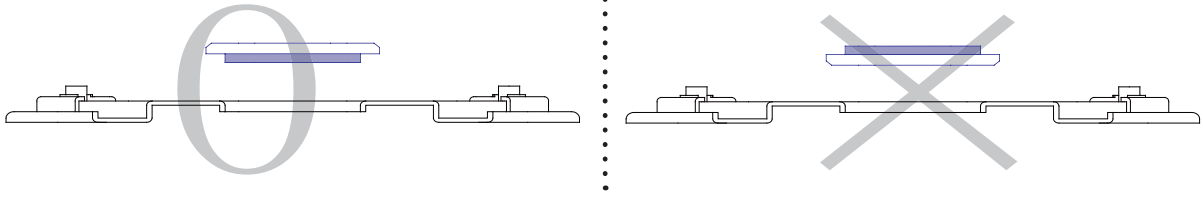


Attach Double-sided Tape to the Loading Block and remove the Double-sided Tape Cover.



Caution

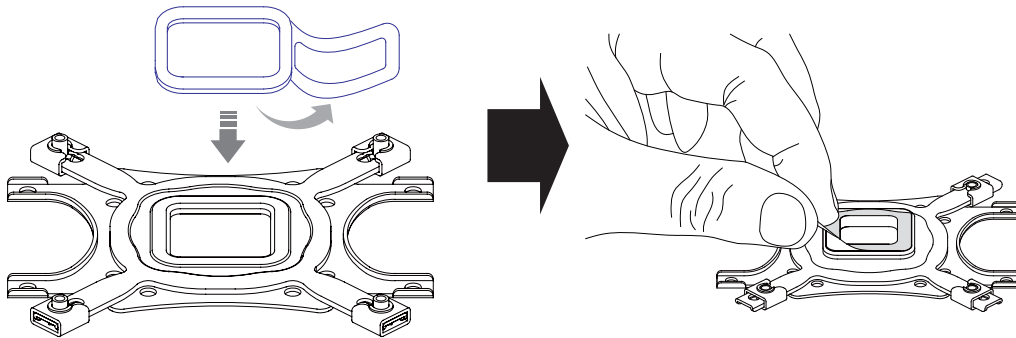
Please make note of the orientation of the Loading Block's Installation.



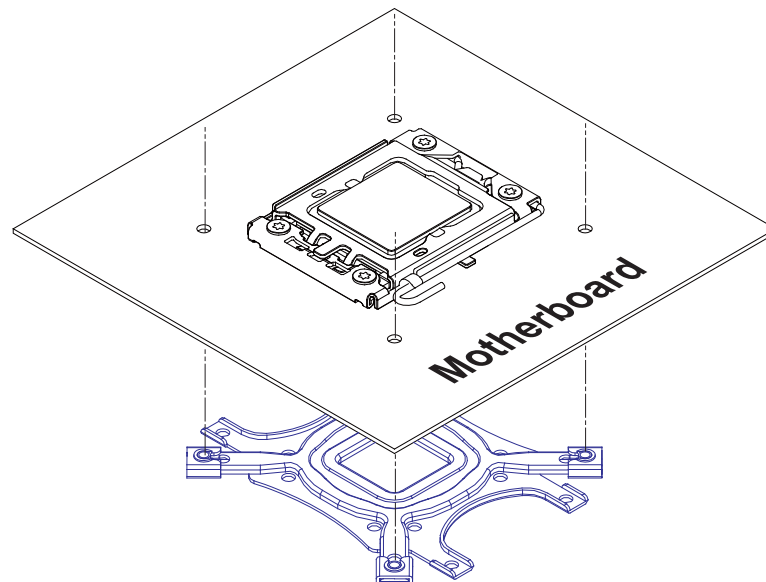
③ - ⑥ Socket 1155 / 1156 / 1366 Installation

Attach Double-sided Tape to the center of the Backplate and remove the Double-sided Tape's Cover.

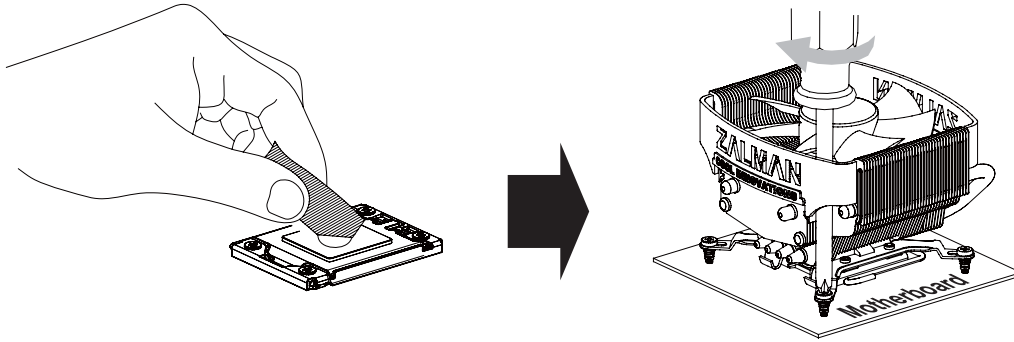
※ Socket 1155 / 1156 / 1366 Installation does not require the Loading Block.



④ Align the Backplate's Nuts with the motherboard's Clip Support's installation holes and fasten to the motherboard.

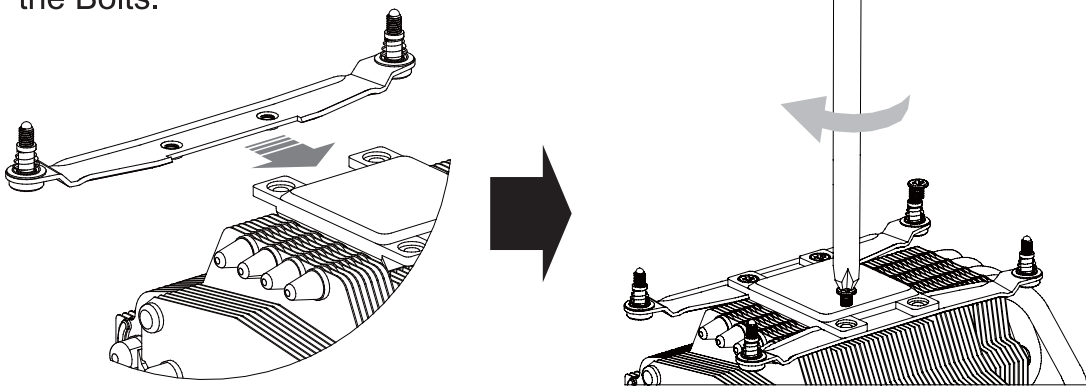


- ⑤ Apply the enclosed Thermal Grease to the CPU's surface and install the Cooler by fastening the Bolts.

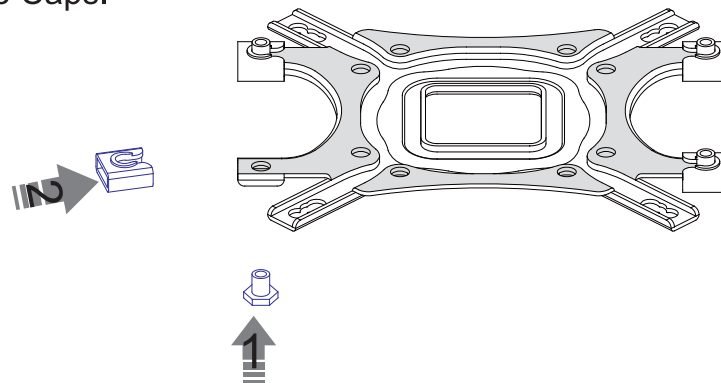


2) AMD Socket FM1/AM3 / AM2+ / AM2 Installation

- ① Insert the AMD A Clip between the Cover and the Base, and then fasten the Bolts.

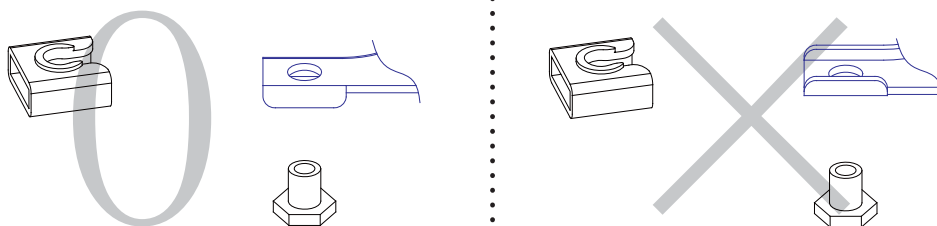


- ② Install Bolts to the Backplate according to the Socket Type and secure with Side Caps.

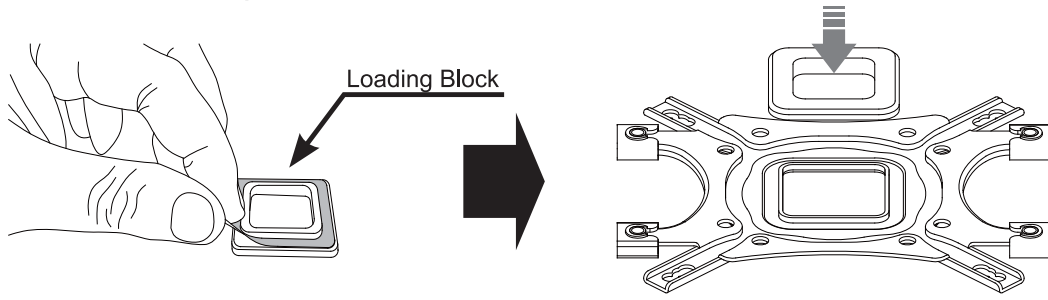


⚠ Caution

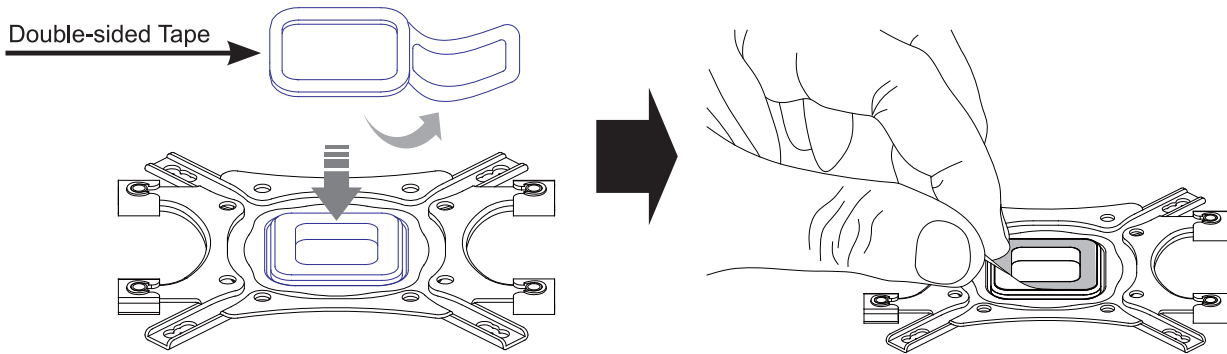
Take note of the orientation of the Nuts and the Side Caps.



- ③ Remove the Sticker Cover from the Lower Tier of the Loading Block and attach to the Backplate.

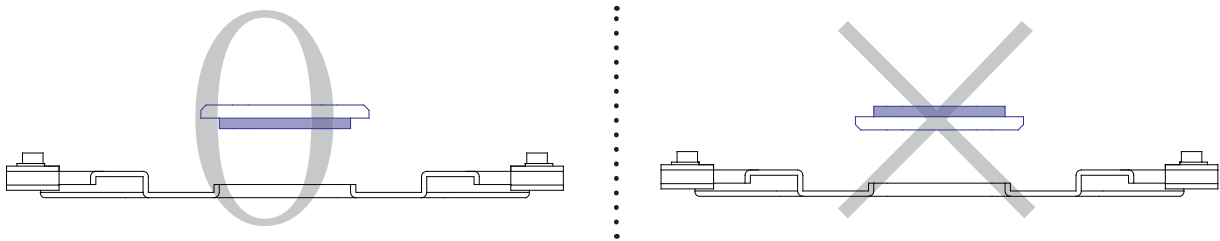


Attach Double-sided Tape to the Loading Block and remove the Double-sided Tape Cover.

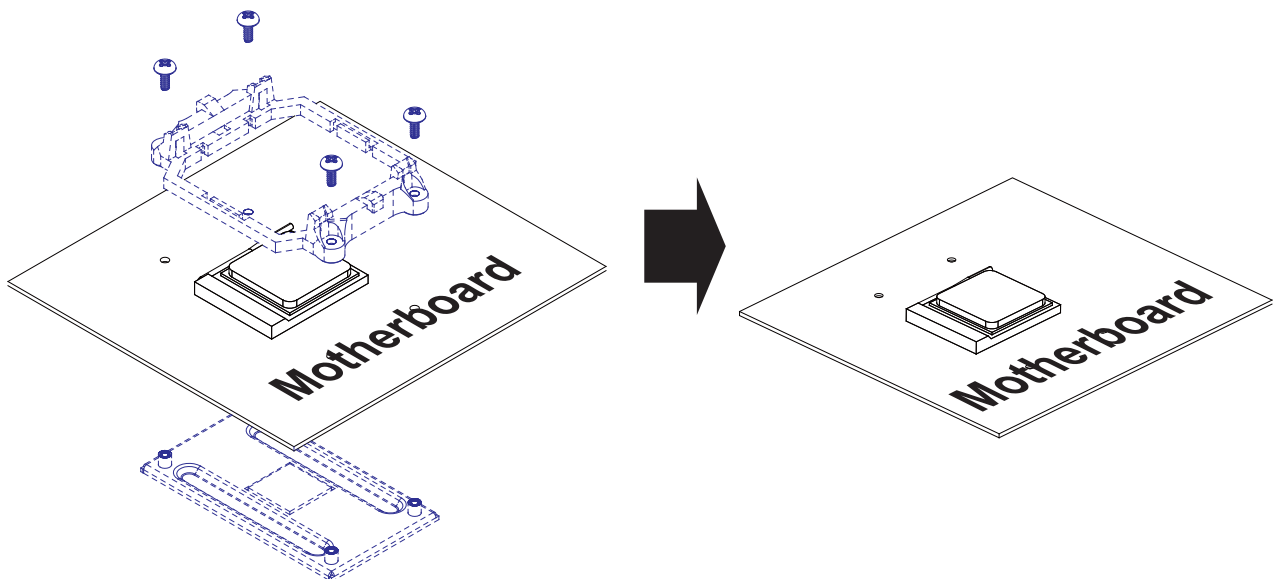


⚠ Caution

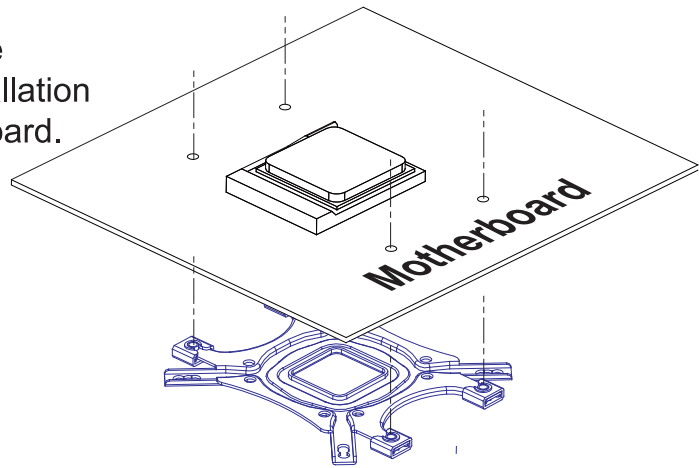
Take note of the orientation of the Nuts and the Side Caps.



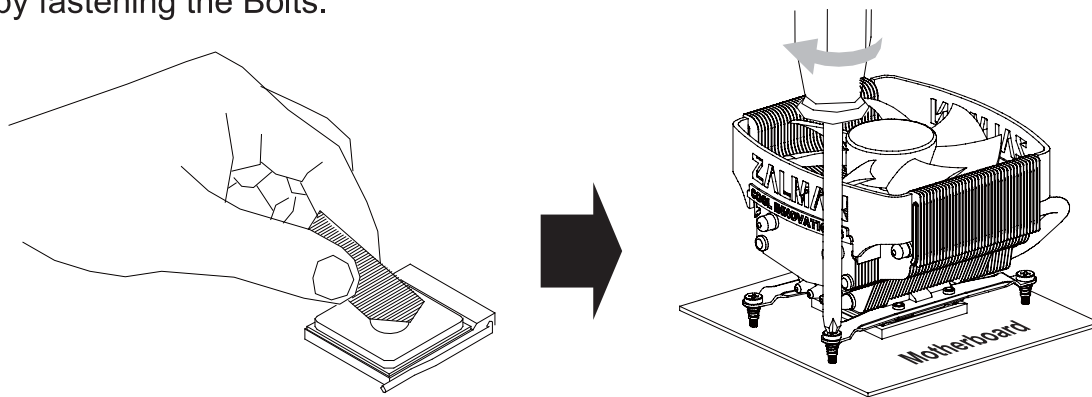
- ④ Disassemble the motherboard's Clip Support.



- ④ Align the Backplate Nuts with the motherboard's Clip Support installation holes and fasten to the motherboard.

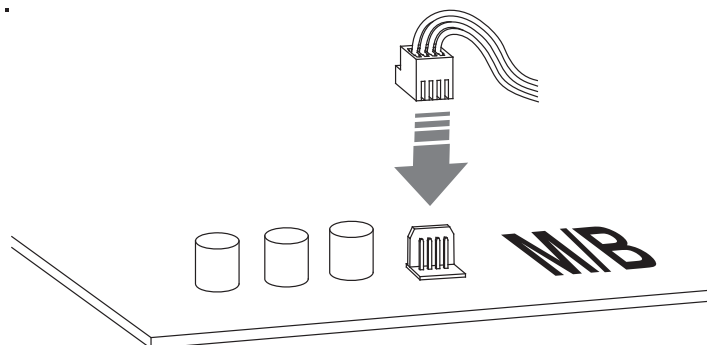


- ⑤ Apply the enclosed Thermal Grease to the CPU's surface and install the Cooler by fastening the Bolts.



6. Fan Connector

Connect the 4-Pin PWM fan connector to the motherboard's CPU Fan header.



Warning

- The PWM fan's operation will vary depending on the motherboard's BIOS settings.

